

Enhanced Performance (1-20 Amp) Compact RFI Filter IEC Connector Package

EEJ Series



UL Recognized
CSA Certified
VDE Approved*



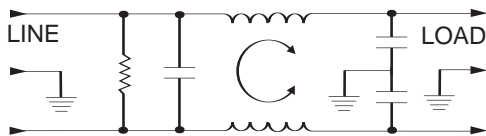
EEJ Series

The new EEJ series is the next generation of power inlet filters. The 1-15 amp versions are flange mounted and mechanically equivalent to the EEA/EEB series. The performance has been enhanced to meet the needs for more attenuation. The EEJ series also has an extended metal flange around the socket for improved high frequency EMI shielding as well as a larger contact area for the panel ground.

The EEJ series also includes a 20 amp version that uses the inlet IEC 320/C20. This product was designed to keep up with the demand for higher current equipment. Applications include higher current power supplies and computing equipment, which consist of work stations, base stations, servers, etc.

*15EEJ - VDE rated at 10 amps, 250 VAC
20EEJ - VDE rated at 16 amps, 250 VAC

Electrical Schematic



Resistor location for reference only.

Specifications

Maximum leakage current, each line-to-ground
 @ 120 VAC 60 Hz: .22 mA
 @ 250 VAC 50 Hz: .38 mA

Hipot rating (one minute):
 line-to-ground 1500 VAC
 line-to-line 1450 VDC

Operating frequency: 50/60 Hz

Rated voltage (max.): 250 VAC

Minimum insertion loss in dB:

Line-to-ground in 50 ohm circuit

Current Rating	Frequency-MHz								
	.01	.05	.1	.15	.5	1	5	10	30
1A	15	27	29	32	41	47	47	47	40
3A	-	10	15	20	30	39	48	50	60
6A	-	1	5	9	21	28	41	44	54
10A	-	1	4	7	14	18	31	36	51
15A	-	-	-	2	5	8	21	26	42
20A	-	-	13	5	14	21	30	33	42

Line-to-line in 50 ohm circuit

Current Rating	Frequency-MHz								
	.01	.05	.1	.15	.5	1	5	10	30
1A	-	-	5	8	19	27	45	43	40
3A	-	-	5	8	17	20	39	42	40
6A	-	-	5	8	17	21	32	40	40
10A	-	-	5	8	17	21	23	36	38
15A	-	-	5	8	17	23	33	30	38
20A	-	-	5	2	17	25	38	48	48

Line Cord

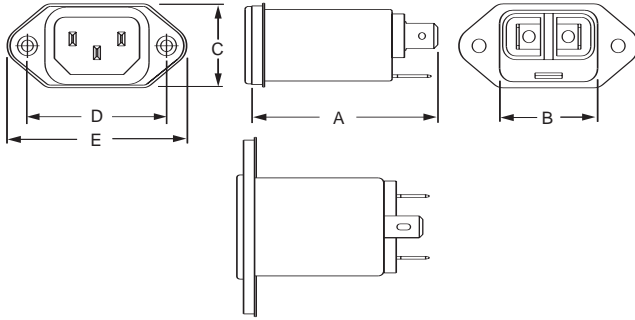
Line Cord No. GA400:

7 1/2 foot, 3-conductor line cord to mate with EEJ series.

EEJ Series

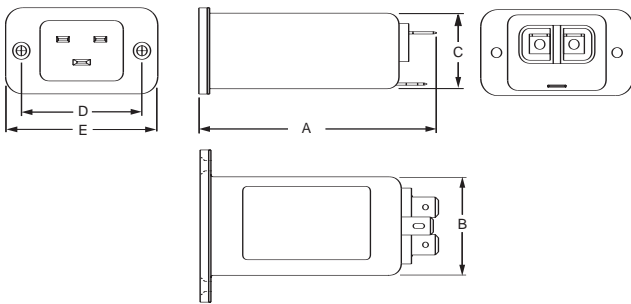
Case Styles

EEJ1



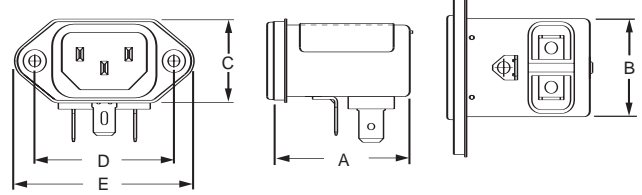
Typical Dimensions:
 Terminals: .250 [6.35] (3)
 Holes: .07 [1.8] Dia. (2)
 Slot: .07x.16 [1.8x4.1]

20EEJ1



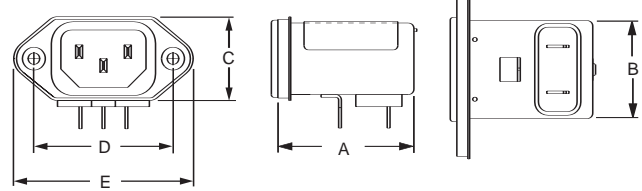
Typical Dimensions:
 Terminals: .250 [6.35] (3)
 Holes: .07 [1.8] Dia. (2)
 Slot: .07x.16 [1.8x4.1]

EEJ2



Typical Dimensions:
 Terminals: .250 [6.35] (3)
 Holes: .07 [1.8] Dia. (2)
 Slot: .07x.16 [1.8x4.1]

EEJ2P

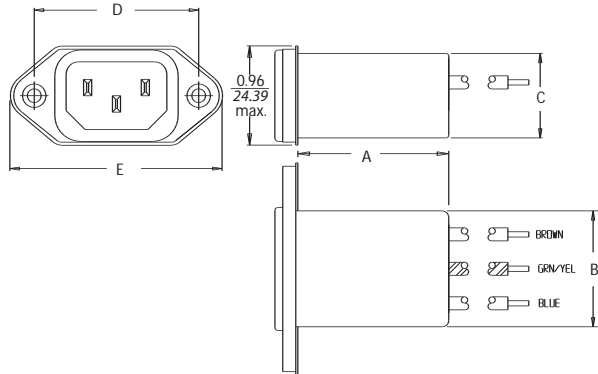


Typical Dimensions:
 Mounting Holes: .132 [3.35] Dia. (2) with .236 Dia. x 90° countersunk for # 4 flathead screw

EEJ Series

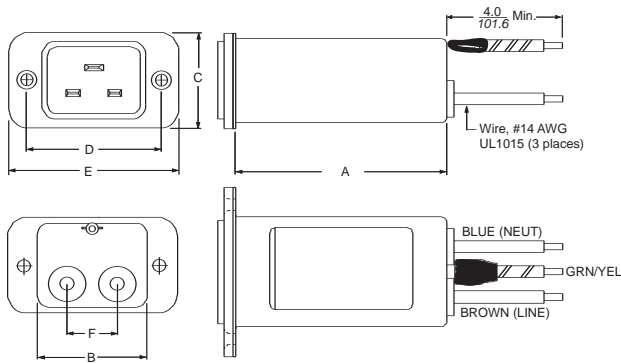
Case Styles (continued)

EEJ8



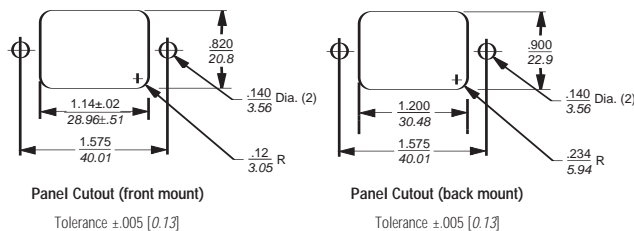
Typical Dimensions:
Wire Leads: 4.0 [101.6] Min.
1-15A, 18 AWG
20A, 14 AWG / UL1015

20EEJ8

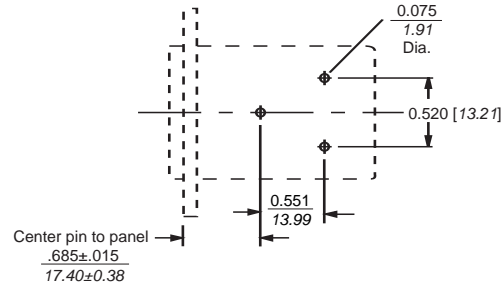


Typical Dimensions:
Wire Leads: 4.0 [101.6] Min.
1-15A, 18 AWG / UL1015
20A, 14 AWG / UL1015

Recommended Panel Cutouts



1 to 15A EEJP PCB Layout



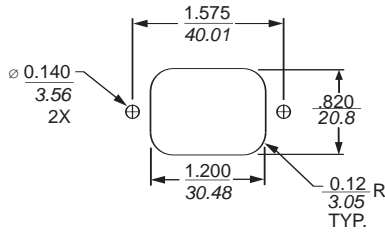
Case Dimensions

Part No.	A (max)	B (max)	C (max)	D $\pm .015$ $\pm .388$	E (max) (ref)	F
1EEJ1, 3EEJ1, 6EEJ1, 10EEJ1, 15EEJ1	2.15 54.61	1.13 28.70	0.96 24.38	1.580 40.00	2.04 51.76	—
20EEJ1	3.13 79.38	1.37 34.79	1.18 29.99	1.650 42.01	2.09 53.00	—
1EEJ2, 3EEJ2, 6EEJ2, 10EEJ2, 15EEJ2	1.54 39.12 45.47	1.13 28.70	0.96 24.38	1.580 40.00	2.04 51.76	—
1EEJP, 3EEJP, 6EEJP, 10EEJP, 15EEJP	1.54 39.12 45.47	1.13 28.70	0.96 24.38	1.580 40.00	2.04 51.76	—
1EEJ8, 3EEJ8, 6EEJ8, 10EEJ8, 15EEJ8	1.54 39.12	1.13 28.70	0.81 20.7	1.580 40.00	2.04 51.76	—
20EEJ8	2.65 67.31	1.35 34.29	1.18 29.99	1.650 42.01	2.09 53.00	.62 15.75

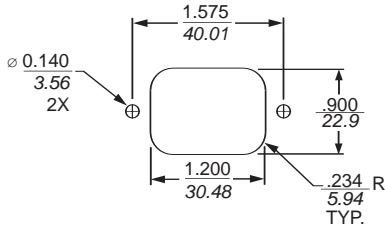
EEJ Series

Recommended Panel Cutouts

1 to 15A EEJ

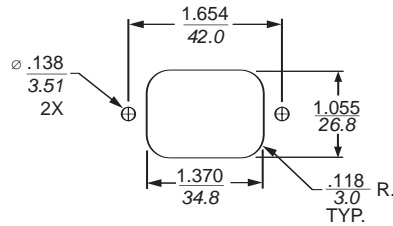


Front Mount

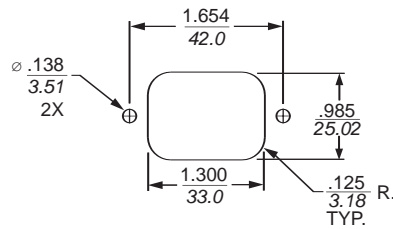


Back Mount

20EEJ



Front Mount



Back Mount

Notes:

- 1 Tolerance $\pm .005$ [0.13]
- 2 Panel Thickness .031-.047 [.78-1.19]
- 3 EEJ1 and EEJ8 styles allow for front or back mounting
- 4 EEJ2 and EEJP allow for back mounting only

Part Numbers

1EEJ1	10EEJ1
1EEJ2	10EEJ2
1EEJP	10EEJP
1EEJ8	10EEJ8
3EEJ1	15EEJ1
3EEJ2	15EEJ2
3EEJP	15EEJP
3EEJ8	15EEJ8
6EEJ1	20EEJ1*
6EEJ2	20EEJ8*
6EEJP	
6EEJ8	
Insulating Boot (1-15 Amp) FA601	

*UL, CSA — 20 Amp; VDE — 16 Amp